

# Installation instructions horizontal units



Series TCH, TACH, TMACH, TOCH, TDH, TDCH,  
TMDH, TCFE, TCCH, TOCCH

<b>1. Preliminary notes .....</b>	<b>3</b>
1.1 Fundamentals .....	3
1.2 Range of application .....	4
1.3 Standards and directives.....	4
<b>2. Technical data .....</b>	<b>5</b>
2.1. Design data.....	5
2.2 Application and intended use.....	5
2.3 Material data .....	5
2.4 Sound information.....	5
2.5 Unit key.....	6
2.6 Data on the type plate.....	6
<b>3. Safety .....</b>	<b>7</b>
3.1 General safety instructions.....	7
3.2 Safety instructions on the installation site.....	7
3.3 Safety instructions on the unit.....	8
3.4 Safety instructions on the operating supplies.....	9
3.4.1 Refrigerants of the group A1 (Freon) .....	9
3.4.2 Ammonia (NH <sub>3</sub> ).....	9
3.4.3 Carbon dioxide (CO <sub>2</sub> ) .....	10
3.4.4 Ethylene glycol .....	12
3.4.5 Water.....	12
<b>4. Transport, storage, positioning, installation.....</b>	<b>13</b>
4.1 General.....	13
4.2 Transport .....	13
4.2.1 Packing.....	14
4.3 Storage .....	14
4.4 Lifting and positioning.....	15
4.5 Installation.....	16
4.4.2 Pipe connection .....	17
4.6.1 Characteristics of dry coolers.....	17
<b>5. Fans and electric system .....</b>	<b>18</b>
5.1 Connection and installation.....	18
5.2 Fans with EC motors.....	19
5.3 Fans with external rotor motors .....	19
5.4 Fans with standard motors or ATEX motors .....	19
5.5 Electrical switching and control mechanisms .....	20
5.5.1 Information on speed regulations.....	20
<b>6. Commissioning, normal operation, maintenance, shutdown, disposal .....</b>	<b>21</b>
6.1 Commissioning .....	21
6.1.1 Return to service after a longer period of standstill .....	21
6.2 Normal operation .....	21
6.2.1 Operation with water spraying system.....	22
6.3 Maintenance .....	23
6.3.1 Cleaning of the fins .....	23
6.3.2 Cleaning of the casings .....	24
6.4 Spare parts.....	24
6.5 Shutdown .....	24
6.6 Disposal.....	24
<b>7. Inspection- and maintenance plan (recommendation) .....</b>	<b>25</b>
<b>8. Troubleshooting.....</b>	<b>26</b>

# 1. Preliminary notes

The purpose of assembly and operating manuals is to prevent dangers to persons and to the environment, which may be caused by a machine and by the work performed in connection with the unit, particularly during transport, assembly, commissioning and operation of the unit.

Therefore, all points of this manual must be carefully read and observed.



Warranty claims shall be excluded in case of errors and damages resulting from the fact that prescriptions of this operating manual have not been observed or in case of complaints resulting from the replacement of parts with non-original parts as well as from reconstructions or adjustments or modifications of the operating parameters or the functionality of the unit which have not been authorised explicitly by the manufacturer.

## 1.1 Fundamentals

The present assembly and operating manual refers to units of the following type series:



(X-)TCH: condenser, copper tube, for refrigerant of group A1, staggered tube system, tube 9.52 mm or 12.0 mm

Image is only exemplary



(X-)TACH: condenser for NH<sub>3</sub>  
(X-)TOCH: gas cooler CO<sub>2</sub>  
stainless steel tube 12.0 mm, for refrigerants of all groups

Image is only exemplary



(X-)TDH/TMDH: dry cooler, copper and stainless steel tube  
tube 9.52 mm (Cu), 12.0mm (Cu or VA), 15.87mm (Cu)

Image is only exemplary

and to units with switching and control components installed – wired or unwired - or with deviations from the standard (X-...).

The corresponding technical data can be seen from the current catalogue, the unit data sheet and the type plate.



For the fan motors and controllers, the data given on their identification plates primarily apply.

## 1.2 Range of application

Condensers in refrigeration and air conditioning systems are used to allow for the emission of the liquefaction heat into the ambient air.

thermofin<sup>®</sup> condensers with copper piping are by default suitable for the use with refrigerants of the group A1 according to DIN EN 378-1 ed. 2008.

thermofin<sup>®</sup> condensers with stainless steel piping are suitable for the use with refrigerants of all groups.

Dry coolers in cooling circuits are intended for dissipating the heat to the environment. Typical fields of application are refrigeration, air conditioning and process technologies for the cooling of condensing refrigerants and cooling circuits in technological lines or technical building equipment.

thermofin<sup>®</sup> dry coolers with copper or stainless steel piping are suited for use with water (caution: risk of frost!) or water/glycol mixtures and brines as refrigerants. The use of thermal oils is possible as well.

The following apply to all units:



The indicated maximum pressure must neither be exceeded during operation nor during transport or storage or standstill!

All thermofin<sup>®</sup> series mentioned under point 1.1, are provided for outdoor installation.

## 1.3 Standards and directives

The manufacturer certifies the compliance with the standards according to the order-related declaration of incorporation and/or declaration of conformity included in the documents of the devices.

Furthermore, both the installation company and the operating company of the system should be familiar with the contents of the following standards, regulations and instructions:

- EU directive 97 / 23 / EC for pressure equipment (Pressure Equipment Directive)
- EU directive 2006 / 42 / EC for machinery (Machinery Directive)
- EU directive 2004 / 108 / EC (EMC directive)
- EU directive 2006 / 95 / EC (low voltage directive)
- EN 378; parts 1 to 4; "Refrigeration systems and heat pumps, safety and environmental requirements"; state: June 2008
- BGR 500 "Operation of Work Equipment"; chapt. 2.35: "Operation of refrigeration systems, heat pumps and cooling equipment"; applicable in the Federal Republic of Germany
- VDMA (German Federation of Machinery and Plant Construction) norm 24243 (08/2005) "Refrigerating machines and plants, tightness of refrigeration systems and heat pumps, leak detection and leak test"
- The present operating manual "thermofin<sup>®</sup> horizontal units"
- The labels attached to the unit, which contain instructions and information of the manufacturer
- Included order-related wiring diagram
- Wiring diagram for motor connection inside of the terminal boxes of the motors

The operator is obliged to observe – in addition to the regulations stated in this operating manual – all possible local particularities and / or applicable regulations.

## 2. Technical data

### 2.1. Design data

The design data of the unit are shown in the respective order documents and/or the unit data sheet. It can also be requested from factory by indicating the project or serial number (see type plate).

### 2.2 Application and intended use

The unit as incomplete machine according to Machinery Directive 2006/42/EC is intended for the installation in cooling systems. Despite meeting the requirements of intended use and handling the unit properly, residual risks cannot be completely prevented.

In principle, the unit is suitable for external installation.

The unit may only be used in places where the materials applied are not affected by the surrounding atmosphere or the medium flowing inside.

Any case of application differing from the one described above requires consultation with the manufacturer.

The manufacturer does not assume liability for any damages resulting from the non-compliance with these provisions.



The unit may not be put into operation until the conformity of the complete system has been declared!

### 2.3 Material data

Tubes: made of copper or stainless steel, copper tubes inner-grooved in case of condensers  
The tube systems are hard soldered or welded.

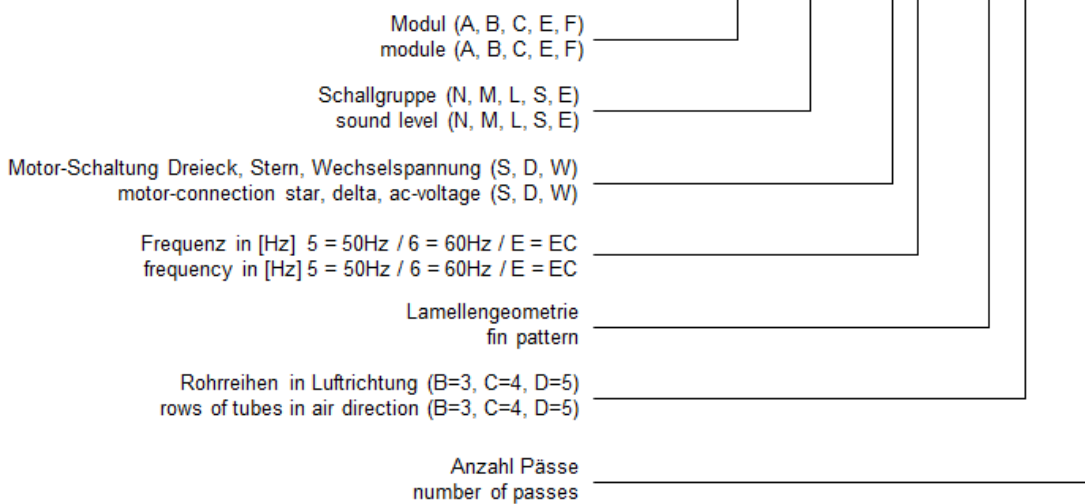
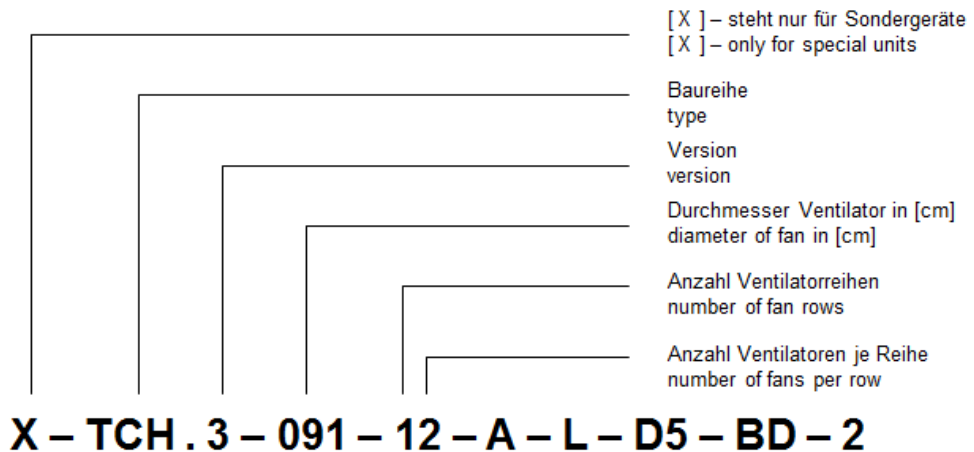
Fins: made of aluminium with or without coating, AlMg with or without coating or copper

Casing: galvanised steel, powder coated, UV and corrosion resistant

### 2.4 Sound information

The sound pressure stated was determined by calculation according to DIN EN 13487 and indicates the average value of the sound pressure on the entire enveloping surface at the defined distance.

## 2.5 Unit key



## 2.6 Data on the type plate

thermofin GmbH <sup>®</sup>					
Am Windrad 1		heat exchangers - GERMANY			
D - 08468 Heinsdorfergrund					
Bezeichnung model / modèle					
Artikel-Nr. article-n° / no. d'article					
Projekt-Nr. project-n° / no. de projet		Geräte-Nr. unit-n° / no. d'appareil	001		
Fertigungsjahr prod. year / année de fabr.		Betriebsdruck max. working pressure / pression max.	PS		bar
Rohrvolumen tube volume / volume tubul.		Mediumtemp. / medium temp. plage de temp. d'utilis. du fluide	TS		°C
Leergewicht empty weight / poids		Ventilatortemp. / fan temp. plage de temp. d'utilis. des vent.			°C
Prüfüberdruck test pressure / pression d'épreuve	PT	Prüfmedium test medium / fluide d'épreuve	Luft / air		
<b>el. Anschlusswerte / connected load / données électriques</b>					
Ventilator(en) fan(s) / ventilateur(s)		V	el. Heizung el. defrost		V
Δ / Y		kW	degivrage el.		kW

- model description according to the unit key (see 2.5 unit key)
- article number of the manufacturer
- project or serial number
- month / year of manufacture
- tube volume of the heat exchanger
- empty weight of the unit
- test overpressure PT
- maximum working pressure PS
- allowed temperature range of the medium TS
- allowed temperature range of the fan
- pressure test medium of the heat exchanger
- connected loads

## 3. Safety

### 3.1 General safety instructions

The unit is state-of-the-art and reliable in operation. The unit may only be used in accordance with the specifications in the catalogue and the data given on the type plate. The unit may only be installed, commissioned and maintained by competent personnel. For installing the system, the installation conditions according to standard DIN EN 378 shall be observed. Furthermore, the applicable national rules and regulations, such as the water resources law, accident prevention regulations etc. are to be complied with. The company installing the system has to ensure the observance of all pressure and temperature limit values given on the type plate.



Compliance with the instructions of this operating manual does not release the plant operator from the obligation to install an appropriate warning system indicating each kind of malfunction immediately. In addition, emergency measures must be planned and prepared in order to prevent consequential damages in case of malfunctions.

### 3.2 Safety instructions on the installation site



The erection and installation conditions according to DIN EN 378 are to be observed. Pipes and fittings must be protected against misuse. Emergency facilities, such as lighting, venting, escape routes and the marking of which according to DIN EN 378 must be provided.



The unit must be lockable in case of leakage. Devices which are used for the discharge of released refrigerants must be operable from a safe location.



Refrigerant detectors and alarm systems which warn of hazardous concentrations have to comply with the assembly conditions of the DIN EN 378-3, chapt. 7 and 8.



No smoking at the installation site. Open fire is prohibited.



The fire extinguishing equipment must meet the requirements of DIN EN 378-3.



There must be sufficient free space around the unit in order to prevent dangers to the unit and its connections and to ensure smooth execution of maintenance and repair work on the unit as well as on all fittings and components.



The unit must bear evenly on all support points without any deformation and deflection and must be fixed with suitable means on the support construction. It must be ensured that the building area and the support construction withstand the unit load permanently and that deformations and settlements are excluded.



### 3.3 Safety instructions on the unit



Before performing installation, repair and maintenance works, the power supply must be interrupted at all circuits. An unauthorized and / or unintentional (automatic) restart must be prevented. Zero potential must be checked and - if applicable - ensured by the means of earthing or short circuiting. Adjacent energized parts need to be covered.



Do not touch the fin edges – risk of cuts!



Beware of hot gas lines – risk of burns!



Any unauthorized reconstructions or modifications affecting the functions or the safety of the unit are prohibited!



Any external forces acting on the equipment are to be avoided. In particular, equipment connections and manifolds may not be stressed (e.g. do not step on them).



Walking on the unit is only permitted with an appropriate antifaall guard!



It is not allowed to push objects through the safety guard of the fan or to put them in the circle of rotation of the fan blades.



Before performing welding and soldering work the unit must be depressurized!  
During the performance of welding and soldering work, the cooling medium residues are exposed to high temperatures. In the process, highly toxic decomposition products like hydrogen chloride, hydrogen fluoride, or phosgene are developing.



In the event that refrigerants escape, use your personal protective equipment. Avoid any contact with the refrigerant; liquid refrigerants cause severe frostbite. In case of eye contact, seek medical advice immediately!



Ethylene glycol is combustible! When in vaporous or gaseous state, it is potentially explosive at higher temperatures.



Wear personnel protective equipment in case of escaping glycol. Prevent any contact with glycol. In case of eye contact, seek medical advice immediately!



Beware of the lateral inspection openings or slewable fans! **Before opening the covers, the fans must be turned off and restart must be prevented!**



Do not climb on the pipelines and connections. Do not walk on the fans!



If the temperature difference between the ambient temperature and the medium inlet temperature exceeds 70K, the max. permitted temperature slew rate must be observed:

Start temperature	Temperature increase max.
$T_{\text{ambient}} < +10^{\circ}\text{C}$	1.5 K/min
$T_{\text{ambient}} \geq +10^{\circ}\text{C}$	3.0 K/min



## 3.4 Safety instructions on the operating supplies

### 3.4.1 Refrigerants of the group A1 (Freon)

The used refrigerants R134a, R404A, R507, R407C ... are so-called safety refrigerants of the group A1 according to classification of DIN EN 378, which are neither combustible nor toxic. However, refrigerants of the group A1 are generally heavier than air and thus they may reach lower spaces. At ground level, the concentration may increase in quiescent air. In case of high concentrations, there is a risk of suffocation due to the reduced oxygen percentage in the breathable air.



Avoid the contact of the refrigerant with open flames or hot surfaces. Be careful when executing soldering and welding works!



An escaping of the operating materials must be prevented. Refrigerants contain solved compressor oil which shall not reach the soil!



During troubleshooting, prevent eye and skin contact as well as contact with clothes. Use your personal protective equipment.



Compressor oil circulating and remaining in the tube system is combustible!

Further detailed information on use, application and first aid as well as resulting measures are included in the safety data sheet.

### 3.4.2 Ammonia (NH<sub>3</sub>)

The utilized refrigerant ammonia (NH<sub>3</sub>) corresponds to the fluid group 1 according to DGRL (Pressure Equipment Directive) 97 / 23 EC or B2 according to DIN EN 378-1: 2008 and requires particular safety measures.

NH<sub>3</sub> is a toxic, pungent smelling gas. A health risk, though, only arises well above the odour threshold (warning effect of NH<sub>3</sub>). Although NH<sub>3</sub> is inflammable as well as explosive, the danger of fire and explosion is relatively low due to the high ignition temperature, the narrow flammable range and the high affinity to humidity.



NH<sub>3</sub> causes agitation, dizziness, vomitus and cramps; with strong concentrations it also causes suffocation and pulmonary oedemas.



NH<sub>3</sub> has perilous to lethal effects from a concentration of 0.2 vol. %.



NH<sub>3</sub> has a strongly corrosive effect, especially on eyes and mucous membranes.

If NH<sub>3</sub> reaches the eyes, those effects cannot be stopped → disorientation.



Inhaled NH<sub>3</sub> causes an interruption of the respiratory airflow → panic.



NH<sub>3</sub>-fluid on the skin causes frostbite and chemical burns.



NH<sub>3</sub> is very toxic to aquatic organisms and may under no circumstances enter drainage systems!



In case of leakages on the unit, it has to be locked and the emergency stop switch has to be pressed, **provided that this is possible without causing dangers**. During the elimination of the malfunction, attention has to be paid to residual NH<sub>3</sub> under boiling retardation.



NH<sub>3</sub>-gas may not enter into neighbouring rooms, corridors or staircases.



Repair work is to be carried out on completely emptied plant components or segments only.

Ensure proper ventilation. In case of works or sojourns in areas with high concentrations, use a respirator which is working independently of the ambient air!

The exposure to NH<sub>3</sub> requires the strict observation of the regulations and standards with regard to occupational safety. Particularly, measures according to the own safety have to be taken. This includes the wearing of safety equipment for the body according to the situation:



safety gloves



eye protection



respiratory protection (independent of ambient air)



personal protective equipment

Further and more detailed information and direction for use and first aid as well as provisions resulting therefrom are to be found in the corresponding safety data sheet.

### 3.4.3 Carbon dioxide (CO<sub>2</sub>)

The used refrigerant carbon dioxide (CO<sub>2</sub>) corresponds to the fluid group 2 according to DGRL (Pressure Equipment Directive) 97 / 23 EC and/or A1 according to DIN EN 378-1: 2008, requires special safety measures.

CO<sub>2</sub> is a nontoxic, colour and odourless gas. These characteristics may prevent the detection of leakages. CO<sub>2</sub> is neither combustible nor explosive, but from a concentration of approx. 4% and longer inhalation, it already provokes unconsciousness. From a breathing air concentration of 8%, difficulty in breathing, dizziness, racing heart and further symptoms are possible.



CO<sub>2</sub> is a nontoxic, colour and odourless gas. These characteristics may prevent the detection of leakages!



CO<sub>2</sub>, from a concentration of approx. 4% provokes difficulty in breathing!



CO<sub>2</sub> displaces oxygen!



Skin contact with liquefied CO<sub>2</sub> leads to frostbites!



In case of leakages on the unit, it shall be locked and the emergency stop switch shall be pressed, **provided that this is possible without causing dangers**. Block the area! During the elimination of the malfunction, attention shall be paid to a dangerous CO<sub>2</sub> concentration in the ambient air. Ensure a good ventilation of the rooms, use a respirator which is working independently of the ambient air or ensure that the concentration of the ambient air is harmless.



In case of escaping CO<sub>2</sub> outdoor, remain on the windward side, block the area. Try to stop the gas escape.



In case of an outlet of liquid CO<sub>2</sub>, a strong electrostatic load is possible!



CO<sub>2</sub> – gas is heavier than air and shall not reach deeper rooms, floors or staircases or the sewerage system.



Repair works may only be effected on completely drained system parts or sections. Ensure a good ventilation.

The handling of CO<sub>2</sub> requires a strict compliance with the instructions and standards concerning work safety, especially the measures for personal safety shall be taken. This includes wearing of personal body protection according to situation:



safety gloves



eye protection



respiratory protection (independent of ambient air)



personal protective equipment

Further and more detailed information and directions for use and first aid as well as provisions resulting therefrom are to be found in the corresponding safety data sheet.

### 3.4.4 Ethylene glycol

Ethylene glycol is a colourless, slightly viscous, slightly volatile and hygroscopic liquid that can be mixed with water. It has a sweetish smell and taste.

Ethylene glycol vapours are heavier than air and thus they may reach lower spaces. At ground level, the concentration may increase in quiescent air. In case of high concentrations, there is a risk of suffocation due to the reduced oxygen percentage in the breathable air.



The operating supplies must be prevented from escaping.



Ethylene glycol is combustible! When in vaporous or gaseous state, it is potentially explosive at higher temperatures!



After skin contact, ethylene glycol causes a slight irritation with the risk of skin resorption. Eye contact causes mucous membrane irritations. After being swallowed, the substance produces states of agitation with disorders of the central nervous system as well as fatigue, loss of consciousness, coordination disorders and kidney damage.



Keep ethylene glycol away from ignition sources, do not smoke!

Avoid the contact of ethylene glycol with open flames or hot surfaces. Be careful when executing soldering and welding works!



During troubleshooting, avoid eye and skin contact as well as contact with clothes. Use your personal protective equipment. Take off soiled or soaked clothes immediately!

Further and more detailed information and direction for use and first aid as well as provisions resulting therefrom are to be found in the corresponding safety data sheet.

### 3.4.5 Water

The used operating fluid - water - is characterised by a very good specific heat emission as well as high cost-saving availability. Following instructions have to be observed when operating with water:



The operating fluids must be prevented from escaping.



Cooling water is no drinking water!



Cooling water may contain toxic or harmful additives (anti-corrosive agents) as well as residues or fractions of motor oil and may not contaminate soil or the sewage system.



During repair works avoid eye and skin contact as well as contact with clothes. Risk of irritations. Risk of scalding from coolant temperatures of 60°C and more. Release overpressure before opening the circuit.

## 4. Transport, storage, positioning, installation

### 4.1 General

The unit may only be installed, integrated in a refrigeration system, operated, maintained and repaired by qualified personnel of specialist companies according to the definitions of expertise from DIN EN 378.



During production and before delivery, each unit is subjected to comprehensive quality testing. The unit is provided in good order and condition. With delivery and before assembly, the unit must be checked for damages (damages in transit).

### 4.2 Transport



During transport, the unit must be handled with special care. In particular, always place the unit very carefully on the ground!



If indications on transport or storage are attached to the unit or the packaging, they must be absolutely observed!



Continuous mechanical loads due to bumps and potholes on the roadway can cause damages in transit.



Transportations by ship can cause damages in transit due to vibrations.



In case of critical transport routes (countries with bad streets or seaway) the mounting parts which could be set into vibration, especially fans, collectors, foot stands, must be disassembled and secured separately.



Units must be firmly fixed on the transport vehicle and protected against vibrations, punches and slipping!

## 4.2.1 Packing

Decisive factors for packing are the route of transport, the size of the equipment and the regulations applicable in the country of importation.



If not otherwise expressly agreed, the delivery is effected ex works in standard transport packaging at the discretion of thermofin®. According to contractual agreement, design and packaging are sufficient for the transport to the contractual agreed place of transfer of risk.



The purchaser is responsible for a possible further transport and the respective packaging.



In case of a packaging by external companies ordered by the purchaser or the customer, thermofin® cannot give any warranty for the design of the packaging and possible resulting transport damages. A safe design of the packaging should be agreed with thermofin®.

The pallets, crates and export boxes used for thermofin® units meet the requirements of the HPE and VDM standards (HPE – German Federal Association for Wooden Packages, Pallets and Export Packaging; VDM – Association of the German Furniture Industries). If required, they can be tailored to the standards of ISPM 15.

thermofin® transport packages are made of environmental friendly materials and they are suitable for recycling.

According to the German regulation on packaging, we are prepared to take back our packages if they are returned to us, delivered free to our location in Heinsdorfergrund.

Usually, thermofin® units are provided completely assembled, with the exception of the vibration dampers which are always delivered as loose parts (together with the unit). In the event that a unit is delivered disassembled – due to transportation or other reasons – it must be assembled on site according to the order-specific drawings enclosed.

Loading on road vehicles is performed in accordance with the VDI guideline 2700 "Securing of loads on road vehicles".



In case of groupage traffic and reloading, the responsibility lies with the forwarder.

## 4.3 Storage

If the units must be stored, the following points must be observed:



Store the units on a proper, dry place protected against environmental influences! Protect the fans against rain and condensation humidity (cold-warm)!



Store the units in an uprising, torsion-free and deflection-free manner!



Do not open the junctions; maintain the delivery pressure of the unit!



Do not stack more than two units! Respect the suitable packing size!

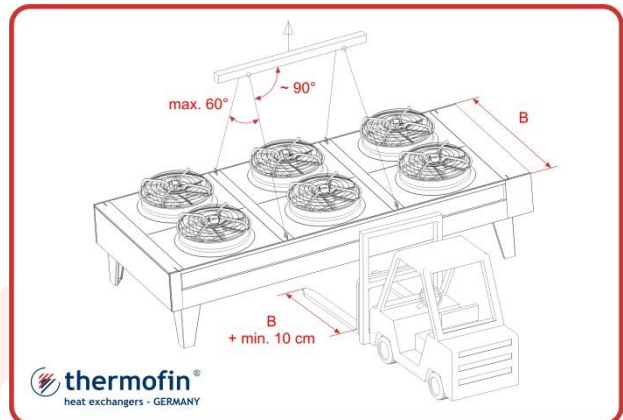
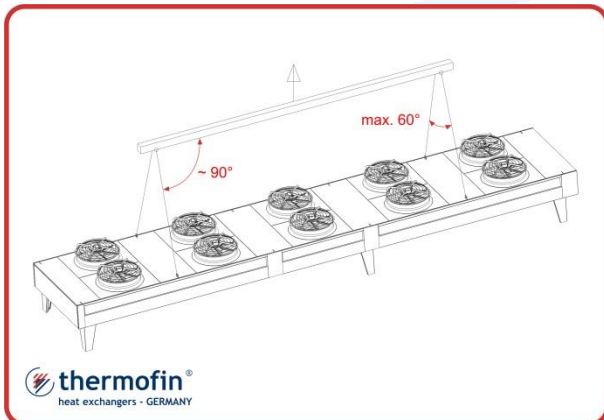


## 4.4 Lifting and positioning

When positioning the equipment, the lifting instructions attached to the device must be observed. Furthermore, the appropriate lifting accessories must be used. The sheet metal components of the housings may not be deformed by the belts. If it is not possible to ensure sufficient rope length (angle to the perpendicular of max. 30°, see drawing), a traverse must be used. The lifting accessories may only be attached to the suspension points intended for this purpose.



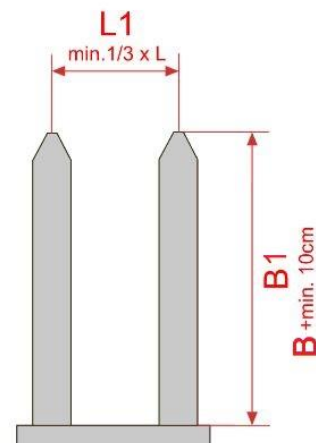
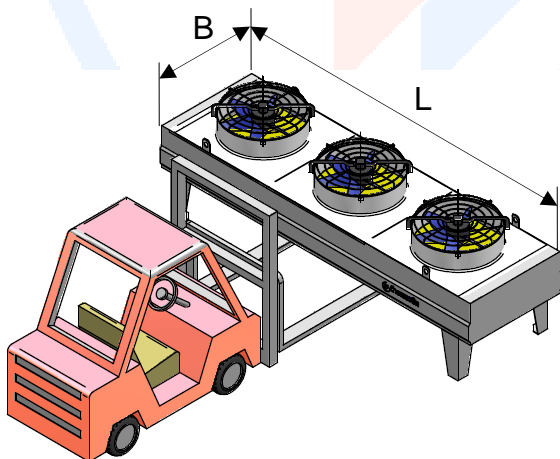
Never use pipes or attachment parts for lifting!



The factory-provided transport weight (empty weight of the unit + transport packaging) is to be found on the corresponding label fixed to the transport packaging.



In case of using floor-borne vehicles a sufficient length of the forks must be ensured. Please pay attention to the position of the centre of gravity as well as to the signs!



Frontal lifting with a lift truck or lifting with short forks result in the destruction of the heat exchanger and the expiration of the warranty.

If the equipment or the packages are provided with further instruction labels for transport and storage, these labels must be respected!



## 4.5 Installation

The suitability and the load bearing capacity of the foundations, brackets, machine frames etc. – provided by the customer – are not the responsibility of the equipment manufacturer.

Within the calculation of the bearing load, additionally to the empty weight of the unit, also the weight of the tube content as well as possible additional weights such as snow, humidity and dirt must be taken into consideration.



It must be ensured that the building ground and supporting structure withstand the unit load permanently and that deformations or soil settlements are prevented.

It has to be ensured that the machine rests evenly on all contact points in a torsion-free and deflection-free manner. It must be fixed on the supporting structure by using appropriate fasteners. For this purpose, the mounting holes provided on the feet of the units shall be used.

The optional vibration dampers with anti-noise properties – included in delivery – are specifically designed for the respective unit. They are installed under the unit feet on site. The vibration dampers are only suited for absorbing vertical compressive forces. Therefore, each kind of shear or tractive force in transverse direction must be prevented. In the worst case, these forces may destroy the foot.

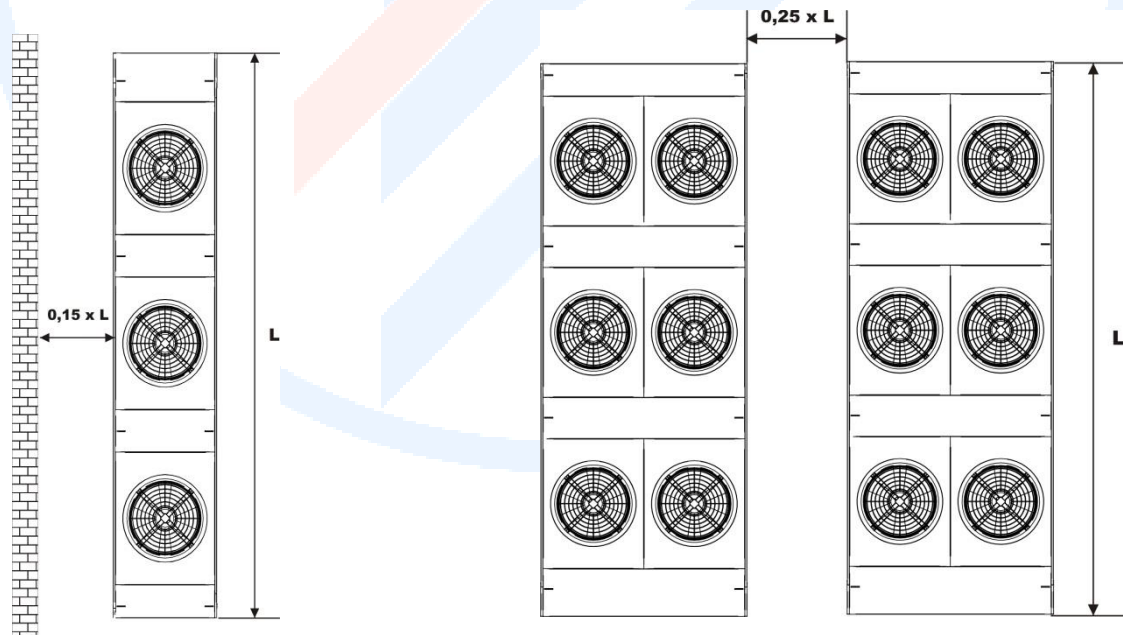


The installation in accumulated water (recesses, glycol collection trays...) may lead to rusting on the vibration dampers of the feet and may endanger the stability of the unit.

After installation and before commissioning all existing package parts and transport protection devices must be removed.



Please pay attention to sufficient distances to walls, sheathings or the like. The air flow must not be obstructed in any way. The dimensions as indicated are minimum dimensions!



Different installation conditions must be checked with the manufacturer. Under certain circumstances special measures must be taken, e. g. extended feet or air duct.

## 4.4.2 Pipe connection



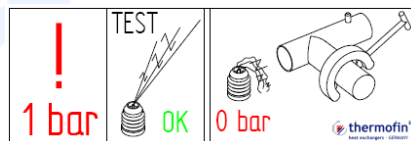
Soldered or welded units or units closed with counter flanges are delivered with an overpressure of approx. 1 bar (cleaned and dried air) (according to the regulation for the transportation of hazardous material ADR 1.1.3.2 c).



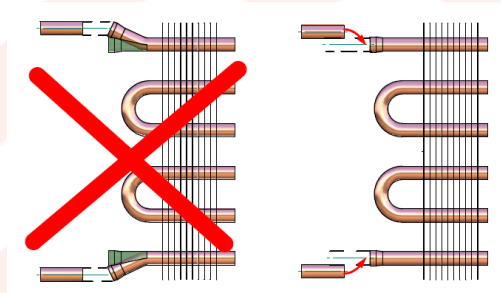
Before removing the closing caps or the counter flanges, it must be verified that the overpressure is present. A depressurized device indicates a leakage (Damage in transit! Leak test!).



In case of depressurized units, the manufacturer must be consulted immediately. Before assembly, the transport pressure must be released and the closing caps must be removed.

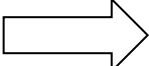



Pipe connections must be designed in such a way that any force, stress and vibration effects on the unit are prevented.



In access lines, a fixed point must be provided at a distance of max. 500mm from the unit connection.



Inlet  and outlet  according to the marking.

## 4.6.1 Characteristics of dry coolers

Dry coolers are delivered by default with dust caps for preventing the entry of mechanical contamination in the unit. However, they do not offer protection against ingress of humidity. Particularly in case of longer intervals between installation and connection, condensate may form inside, which could cause the formation of ice plugs in case of frost. Appropriate measures must be taken in order to avoid this problem.

Complete drainage of the system cannot be fully ensured. Therefore, the system must be flushed with anti-freezing agent – when there is danger of frost – after performing a leak test with water. For flushing, a pump is used, which is coupled to the outlet connection of the unit via a hose line. Previously, the unit must be disconnected from the heat transfer medium circuit. The water mixed with the anti-freezing agent is discharged via the vent connection and conducted to a collecting tank, from which the pump sucks water again. In order to ensure sufficient mixing, a 10-fold circulation is at least necessary. The achieved frost resistance can be determined by means of the mixture in the collecting tank.

## 5. Fans and electric system

### 5.1 Connection and installation



The electrical **connection** of the fans and/or the electrical accessories, if existent, must be performed in accordance with the applicable national regulations and the provisions of the local energy supply company!



The electrical installation may only be carried out by **qualified personnel**. The local regulations must be observed.



A suitable **all-pole separator**, which is not included in thermofin®'s scope of supply, must be integrated in the installation.

In order to prevent an unintended start, the deactivation system must be possible to protect it in deenergised (deactivated) condition!



Wiring may only be performed in accordance with the circuit and **wiring diagrams** provided.



The existing **strain-relief devices** must always be used.



The **direction of rotation** of the fans must be observed!



The **thermal motor protection** is either already integrated in the electrical feed line of the fans or shall be integrated in the electrical control system by the company installing the system (see wiring diagram of the fans). It must be ensured that motors with released thermal protector cannot be activated before the winding is cooled down. Otherwise, the warranty claim expires!



Observe the information given on the type plate! The capacity and the power consumption of the fans directly depends on the ambient temperature (air density) and can be, in case of cold temperatures, above the information given on the type plate.



With the installation it must be observed that humidity can condensate in cold rooms and that dripping water can be formed in the sockets! If the fans are provided with **condensate water holes**, respectively the lower ones shall be opened! A non-compliance leads to the expiration of warranty claims!



In circumstances, in order to prevent an entrance of **condensation**, fans in cold environment should be hold on temperature during standstill using a standstill heater. Thermal motor protection required!



In case of humidity entry due to spraying, sprinkling or jet water, a **standstill heater** is necessary. A thermal motor protection is obligatory!



An icing of the impellers and fan nozzles must be prevented! **Ice residues** on impellers lead to imbalances and damages to the fan! A noncompliance leads to the expiration of warranty claims!



For all works on fans and motors as well as cleaning works between the fans and the heat exchanger coil (inspection cover), the power supply must be deactivated and **protected against restart!**



After finishing repair and maintenance works, ensure that no objects remain in fan proximity since they can cause errors and damages to the fan or heat exchanger after restart. After disassembling the fans and their reinstallation, the **free running** must be checked.



In case of longer **down times** of the system, e.g. storage, the fans must be operated for approx. 3 to 4 hours per month in order to evaporate condensations and to move the bearings.



For the installation of the unit or subsequent installations assure **compliance with the degree of protection**. In particular the sealing of the cable glands and terminal covers must be checked for intactness and correct fitting.

For further information on the connection of fans, controllers, standstill heaters and thermal motor protection systems, please refer to customer information FB.02.07 provided in the download area of our website or which we can send to you upon request.

## 5.2 Fans with EC motors



In some circumstances, EC fans remain energised in deactivated condition on power-side and are switched on control side.



Depending on the used fan type, the control can be effected via different BUS-systems, 0-10V-signal or 4-20mA. Order-specific documents as well as the provided fan documentation and/or wiring and connection plan, must be observed.

## 5.3 Fans with external rotor motors

All serial units delivered by thermofin<sup>®</sup>, are equipped with maintenance-free, energy-saving fans of renowned manufacturers. However, fans should be checked regularly according to maintenance plan (point 7) for function, bearing noises, free running and imbalances. Furthermore, terminal covers must be checked for tight fitting and sealing. Since the bearings are ex-works maintenance free and lubricated for lifetime, an individual check is not required. **In case of longer down times of the system, e.g. storage, the fans must be operated for approx. 3 to 4 hours per month in order to evaporate condensation and to move the bearings.**

## 5.4 Fans with standard motors or ATEX motors

Maintenance measures and maintenance intervals must be effected according to the information of the motor manufacturer. If there is no information of the motor manufacturer, proceed according to inspection and maintenance plan (chapter 7). Lower closed condensate holes should be opened minimum twice per year. Depending on application, the bearings and/or the bearing lubricant have a limited lifetime and must be checked and replaced according to maintenance plan (chapter 7). In case of a bearing replacement, also the shaft seals (Stefa rings) must be replaced. Impellers must be regularly checked for imbalance, tight fitting, soiling and corrosion.

**In case of longer down times of the system, e.g. storage, the fans must be operated for approx. 3 to 4 hours per month in order to evaporate condensation and to move the bearings.**



All components that were removed, loosened or disassembled for cleaning or inspection purposes must be properly reinstalled after work completion. They must also be checked for correct functioning!

Further preventive measures are in the discretion of the system operator or the company installing the system.

## **5.5 Electrical switching and control mechanisms**

thermofin<sup>®</sup> offers different variant options with maintenance switch or motor protection switch, phase angle control or frequency regulators as well as combinations thereof – on demand, fully pre-wired. Here, a function test should be performed at regular intervals. The cables and components must be subjected to a visual inspection; the terminals must be checked for tight fitting. In addition, it must be checked whether the set parameters are still in line with the system configuration.



All components that were removed, loosened or disassembled for cleaning or inspection purposes must be properly reinstalled after work completion. They must also be checked for correct functioning!

### **5.5.1 Information on speed regulations**



In case of regulating the fans with frequency converter, the use of an all-pole sinus filter between converter and fans is mandatory! In case of non-observance the warranty expires!



In case of a phase angle regulation, electromagnetic motor noises (buzzing) are possible in the lower speed range. In sensitive environments, a sound filter should be added.



For dimensioning of the phase angle regulation, a possible control-related current increase should be taken into consideration. In case of doubt, the manufacturer should be contacted.



Pressure and temperature sensors must be properly installed and connected. Tightness and a good heat transfer must be ensured. Shield signal cables and lay them separately from the load cables!

## **6. Commissioning, normal operation, maintenance, shutdown, disposal**

### **6.1 Commissioning**

Before starting operation, the system's readiness for operation must be verified according to the following points:

1. Has the unit been properly installed and fixed in accordance with the instructions of the present manual?
2. Have all fluid-carrying lines been connected and checked for tightness? Are the shut-off devices open?
3. Is the flow direction correct?
4. Are all cables properly installed and completely connected? Has cabling been done according to the wiring diagrams provided?
5. Has the electrical protective installation been checked for proper functioning?
6. Have all bolted connections (e.g. fans, cable entries), fastenings, electrical connections etc. been checked for tight fit?
7. Are all terminal boxes and cable entries firmly closed and tight?
8. Do the fans rotate freely and in the right direction?

During start of operation the following measures shall be taken:

1. Check and, if necessary, adjust the direction of rotation of the fans.
2. Measure the current consumption of the fans and check for compliance with the type plate data.
3. Adjust the electrical switching and control devices and check for correct functioning (see the specific operating instructions of the respective control device).
4. Check the switch point settings of the safety equipment.

#### **6.1.1 Return to service after a longer period of standstill**

If the unit is intended to be put into operation again after being shut down and standing still for a longer period of time, the following points must be checked in addition to those mentioned under "6.1 Commissioning":

1. Visual inspection of the heat exchanger coil, check for fouling and damages
2. Leak test of the heat exchanger coil
3. Visual inspection and functional test of the fans; check for free running, check the terminal boxes for tightness, check for corrosion and noise (bearings)
4. Check all pipe connections (including pipe clips), electrical components, housings and attachment parts for tight fit

### **6.2 Normal operation**

For running the unit, the entire plant including the electrical system must be operating.

The unit is integrated in the cooling circuit by opening the corresponding shut-off valves.

It is turned on by activating the electrical system.

After reaching the system-specific operating point the unit is ready for operation.

In case of operating conditions which differ from those stated in the quotation, the manufacturer must be consulted.



## 6.2.1 Operation with water spraying system

In some cases, the unit is equipped with a pipe system for the operation with water spraying system. It is intended to cover peak loads. It is recommended to a limited extend, especially for the operation with water of unknown quality.

The following must be observed:

Original water:       - PH value 6.5 – 8  
                              - Electrical conductivity < 1200 $\mu$ S/cm  
                              - Chloride < 75mg/l (ppm)  
                              - Sulfate < 250mg/l (ppm)

Hardness:               < 2.0° dH

Spraying pressure:    according to case of application, see data sheet

These information refer to an operating time of not more than 200 hours per year.



Depending on the case of application, the maximum possible operating times can variate.



Strong risk of corrosion when using water with non-permitted water quality!



In case of doubt, the manufacturer should be contacted before commissioning of the spraying system.

The piping for the water spraying system must be installed with an incline of approx. 2°!  
It must be ensured that the pipes are drained if the spraying system is out of operation (danger of bursting with frost)!

Also observe the VDMA leaflet “Advices and recommendations for the operation and maintenance of evaporation coolers” as well as the guideline „VDMA-Einheitsblatt 24649 „Advices and recommendations for effective and safe operation of evaporation coolers“.

Also observe local and national recommendations, regulations or laws for a safe operation and maintenance of evaporation coolers.



## 6.3 Maintenance

The manufacturer recommends performing particular maintenance works at regular intervals. The type and frequency of the measures strongly depend on the respective installation site of the heat exchanger.

### 6.3.1 Cleaning of the fins

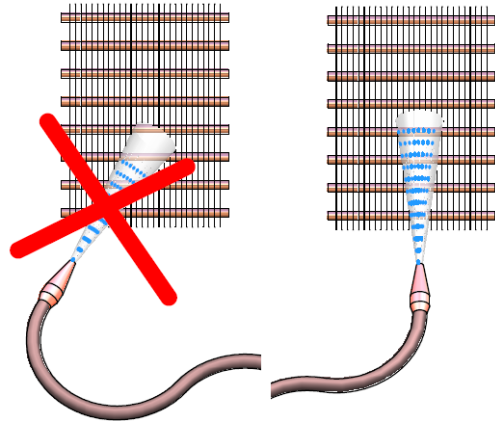
Depending on the installation site, mode of operation and the season, the heat exchanger fins are subject to fouling (varying degree). As this directly affects the performance and thus the current consumption of the unit, the cleanliness of the fin block must always be ensured.

Dry cleaning: with a broom or a soft brush from the outside towards the fins or from the inside towards the outside by using compressed air – opposite to the direction of the air flow of the fans.



Switch off the unit (regarding refrigeration and electricity)!

Wet cleaning: with a water jet from the inside towards the outside and opposite to the direction of the air flow of the fans; and from top to bottom. The jet of the cleaning device must be vertical to the heat exchanger block (max. deviation  $\pm 5^\circ$ ), in order to prevent fin deformations.



Switch off the unit (regarding refrigeration and electricity)!



Use of high pressure and steam pressure washers up to 80bar max.



Electrical components may not be exposed to the water jet!



When using cleaning agents, the compatibility of materials must be ensured. Never use aggressive or corrosive cleaning agents! In case of doubt, consult the manufacturer. Application rules of the manufacturer with regard to handling and use, especially dosage, reaction time and after-treatment, must be strictly respected.



Mechanical cleaning with hard objects, such as steel brushes or screwdrivers may destroy the heat exchanger, therefore it is not permitted.

### 6.3.2 Cleaning of the casings

thermofin® heat exchanger casings have smooth surfaces which are equipped with a hygienic, corrosion-resistant powder coating which makes the cleaning of the devices very easy. The devices should be cleaned with water or a mild soap sud.



When using cleaning agents, the compatibility of materials must be ensured. Never use aggressive or corrosive cleaning agents! In case of doubt, consult the manufacturer. Application rules of the manufacturer with regard to handling and use, especially dosage, reaction time and after-treatment, must be strictly respected.



Under no circumstances use sharp-edged tools or scrapers!

Potentially existing dust filters are removable and can be cleaned by means of a vacuum cleaner or under running water.

### 6.4 Spare parts

After-sales services shall be performed by the responsible specialist company. Spare parts are stated in the spare parts list enclosed in the annex or in the specified drawing. They can also be requested from the manufacturer by indicating the device name and the project number on the type plate. Only use original spare parts for the replacement of equipment components.

### 6.5 Shutdown

The units are part of a refrigeration system. Unit shutdown and return to service must meet the system-dependent requirements as well as the requirements of the operating manual of the equipment manufacturer and of the applicable standards and accident prevention regulations (see also chapter „1.3 Applied standards and directives“). The shutdown is effected via the shutoff of the fluid-conducting lines as well as via the shutdown of the electrical system.



The following applies for all devices: Exceeding the maximum pressure must be prevented!



In case of longer standstill periods of the system, the fans should be operated for approx. 3 to 4 hours per month.

### 6.6 Disposal



Empty the system properly in a technically correct manner; properly dispose of the working fluid. No emissions in the environment!



Oil residuals must not reach the ground and must be disposed of with the special waste.



Bring the emptied device to recycling.

## 7. Inspection- and maintenance plan (recommendation)

Depending on type, installation and environmental conditions, the heat exchangers are subject to different signs of wear and contamination during operation. In order to ensure an excellent operation and a maximum operational reliability, periodical maintenance measures must be executed. Maintenance and repair measures as well as recurring inspections should comply with the valid standards and statutory provisions, e.g. EN 378, 842/2006/EC, VDMA 24243, 2006/42/EC, 97/23/EC and/or local factory standards or regulations applicable at installation site. The following table can serve as recommendation.

inspection point	main topic	interval	actions
general visual inspection	general condition corrosion pollution	monthly	initiate corresponding maintenance measures
heat exchanger coil	pollution tightness	quarterly	cleaning repair leakage if necessary
pipng connections	tight fit tightness* deformations	quarterly	ensure tight fitting, repair leakage if necessary determine the cause, contact manufacturer if necessary
connections and fixations	tight fit tightness deformations	quarterly	ensure tight fitting, repair leakage if necessary determine the cause, contact manufacturer if necessary
shut-off-devices, valves, security modules	operation accessibility	quarterly	replace damaged parts ensure accessibility
fans, motors, impellers	function free running noises pollution	quarterly	remove obstacles and pollutions replace bearing if possible replace damaged fans
	closed condensate holes	half-yearly	open and drain condensate
switching devices	function accessibility	quarterly	replace bearing if possible ensure accessibility
junction boxes, strain reliefs, cable fittings	tight fit tightness operation	quarterly	replace damaged parts retighten loosened screw connections
safety equipment and devices emergency signals alarm systems	operation	yearly	replace damaged parts
pressure relief equipment	tightness visual inspection	yearly	replace damaged parts

## 8. Troubleshooting

incident	cause	action
drop of cooling capacity, condensation temperature too high condensation pressure too high	fins soiled	clean the coil
	fan out of work	check power supply
		measure power consumption
		check appropriating terminal box
	check thermostat relay	
vibrations	fan out of balance	check impellers for damages, possibly exchange fan
noises	impellers and motors do not rotate freely	remove any existing obstacle
	bearing damage on motor	replace fan
leakage	damaged and leaking core tube	locate and repair core tube, possibly giving up
	leaking bend or connector	repair or exchange the part

## Contact

Address: thermofin GmbH  
Am Windrad 1  
08468 Heinsdorfergrund  
Germany

Phone: +49 3765 3800-0  
Fax: +49 3765 3800-8038  
E-mail: [info@thermofin.de](mailto:info@thermofin.de)  
Internet: [www.thermofin.de](http://www.thermofin.de)

